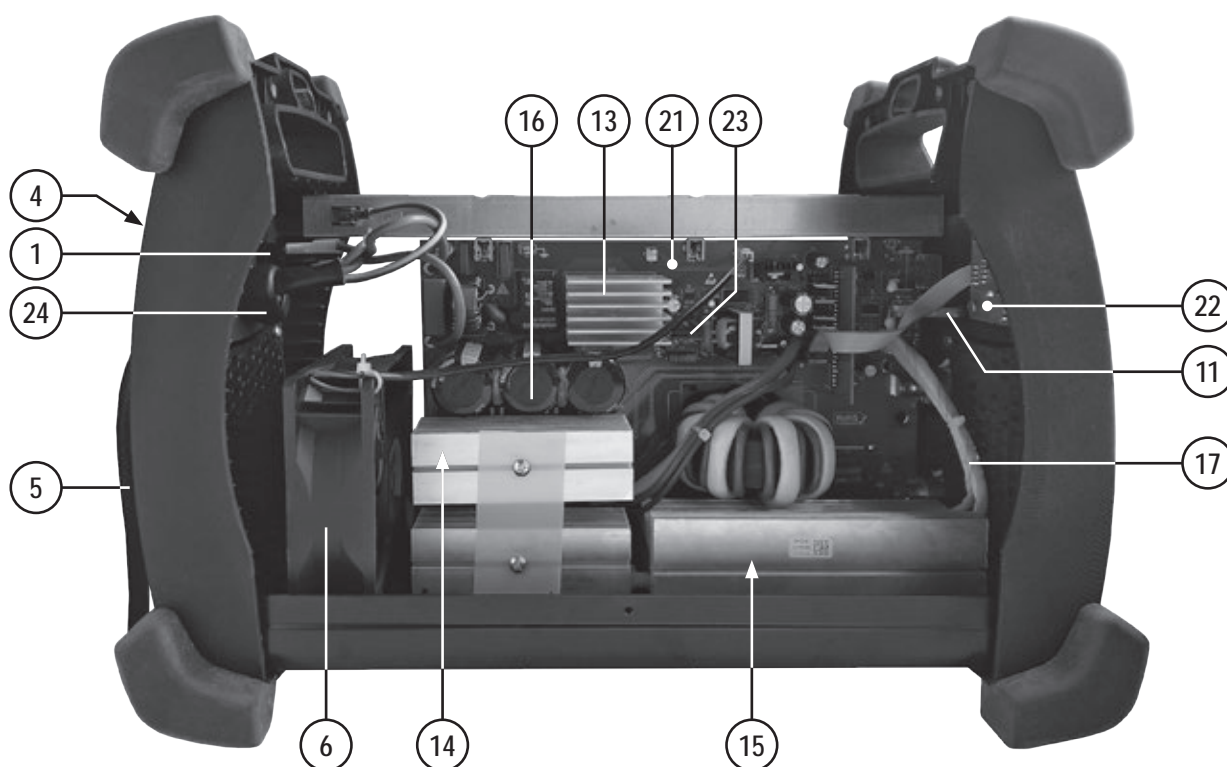


ELENCO PEZZI DI RICAMBIO
 LISTE PIECES DETACHEES
 SPARE PARTS LIST
 ERSATZTEILLISTE
 PIEZAS DE REPUESTO

TECHNOLOGY 238 CE/MPGE XT



Esplodo macchina, Dessin appareil, Machine drawing, Explosions Zeichnung des Geräts, Diseño seccionado maquina.



REF.	ELENCO PEZZI DI RICAMBIO PIECES DETACHEES SPARE PARTS LIST ERSATZTEILLISTE PIEZAS DE REPUESTO	CODICE CODE KODE	REF.	ELENCO PEZZI DI RICAMBIO PIECES DETACHEES SPARE PARTS LIST ERSATZTEILLISTE PIEZAS DE REPUESTO	CODICE CODE KODE	REF.	ELENCO PEZZI DI RICAMBIO PIECES DETACHEES SPARE PARTS LIST ERSATZTEILLISTE PIEZAS DE REPUESTO	CODICE CODE KODE
1	Interruttore Interrupteur Switch Schalter Interruptor	121248	15	Kit diodi Kit diodes Diode kit Diode kit Kit diodo	981583			
2	Manopola Poigne Knob Griff Manija	121394	16	Kit condensatore snap-in Kit condensateur snap-in Condenser kit snap-in Kondensator kit snap-in Kit condensator snap-in	981584			
3	Manopola Poignee Knob Griff Manija	121751	17	Kit cablaggio ntc Kit cable ntc Ntc cable kit Ntc kabel kit Kit cable ntc	981586			
4	Copri interruttore Couvre interrupteur Switch cover Schalterdeckel Cubre interruptor	122353	18	Kit prese dx 50mmq Kit prises dix dx 50mmq Dx sockets kit 50mmq Dx stecker kit 50mmq Kit enchufe dx 50mmq	981878			
5	Cavo alim. 3g04.00 2.00 M Cable alim. 3g04.00 2.00 M Mains cable 3g04.00 2.00 M Netzkabel 3g04.00 2.00 M Cable alim. 3g04.00 2.00 M	132345	19	Kit mantello Kit capot Cover kit Deckel kit Kit panel de cobertura	982120			
6	Ventilatore Ventilateur Fan Ventilator Ventilador	152290	20	Kit fondo Kit chassis Bottom kit Bodenteil kit Kit fondo	982121			
7	Frontale bumpers Partie frontal bumpers Bumpers front panel Bumpers gerätefront Frontal bumpers	323108	21	Kit scheda potenza Kit carte puissance Power board kit Leistungskarte kit Kit tarjeta potencia	982124			
8	Retro bumpers Partie arriere bumpers Bumpers back panel Bumpers rückseite Trasera bumpers	323107	22	Kit scheda switch Kit platine switch Switch card kit Switch karte kit Kit tarjeta switch	982125			
11	Guida luce Guide Guide Führung Guia	322898	23	Kit mosfet flyback Kit mosfet flyback Mosfet flyback kit Mosfet flyback kit Kit mosfet flyback	982126			
12	Manico Poignee Handle Handgriff Manija	635010	24	Kit pressacavo + ghiera Kit presse cable + embout Kit cable bushing + ring nut Kit kabelhalter + nutmutter Kit prensa cable + virola	990046			
13	Kit ponte monofase Kit pont monophasé Single phase bridge kit Einfasige brücke kit Kit puente monofásico	981581						
14	Kit igtbt + diodi Kit igtbt + diodes Kit igtbt + diodes Kit igtbt + dioden Kit igtbt + diodos	981582						

Schema elettrico, Schéma électrique, Diagram, Schaltplan, Esquema de conexiones.

